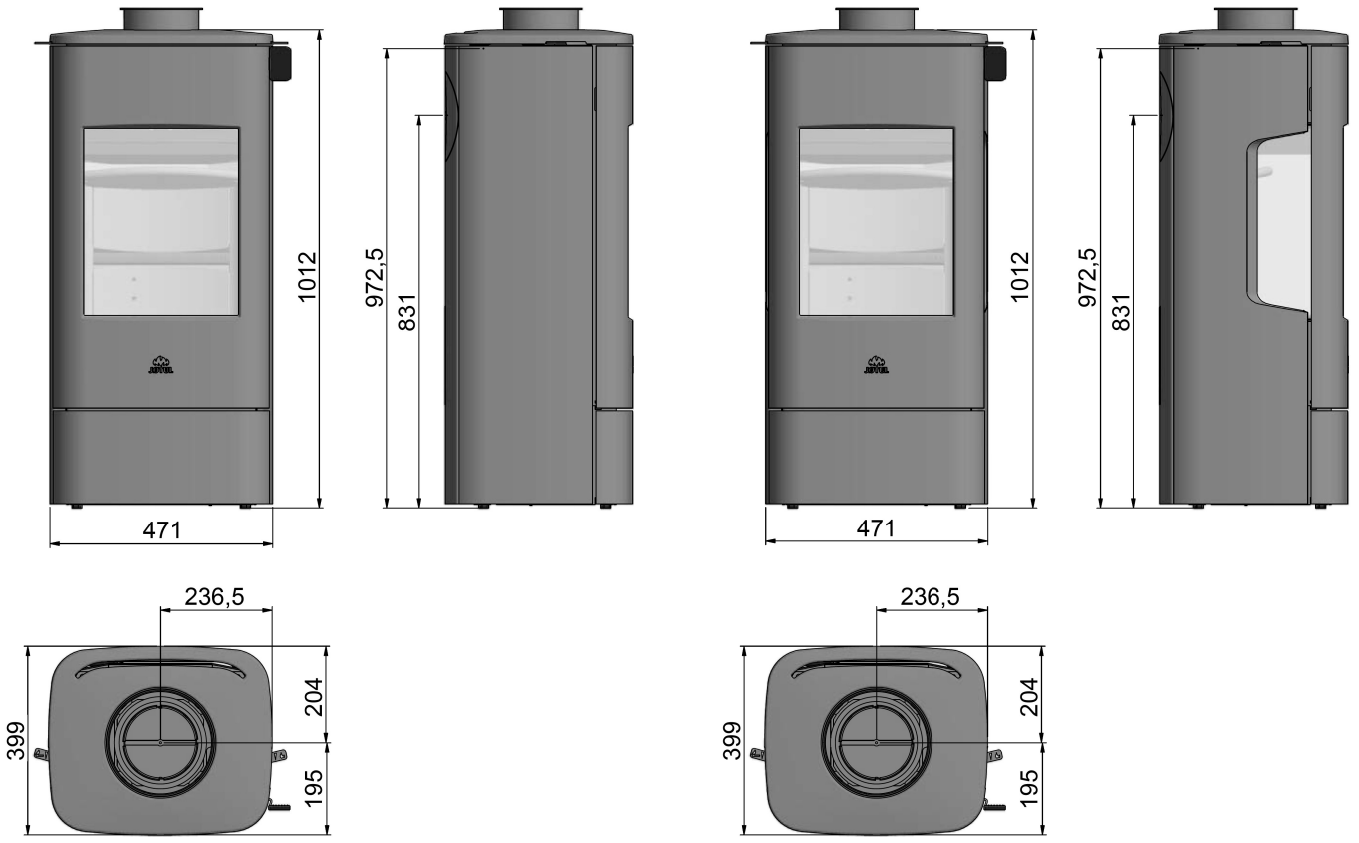
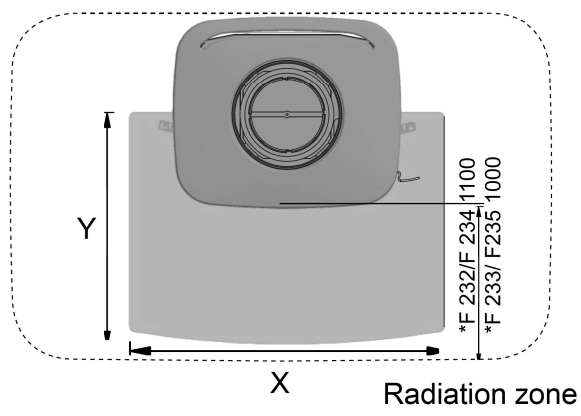


Jøtul F 232

Jøtul F 233



Floorplate



Min. measurement floorplate  
 X/Y acc. to national standards  
 \* Min. distance to furniture / combustible material

Fig. 1a